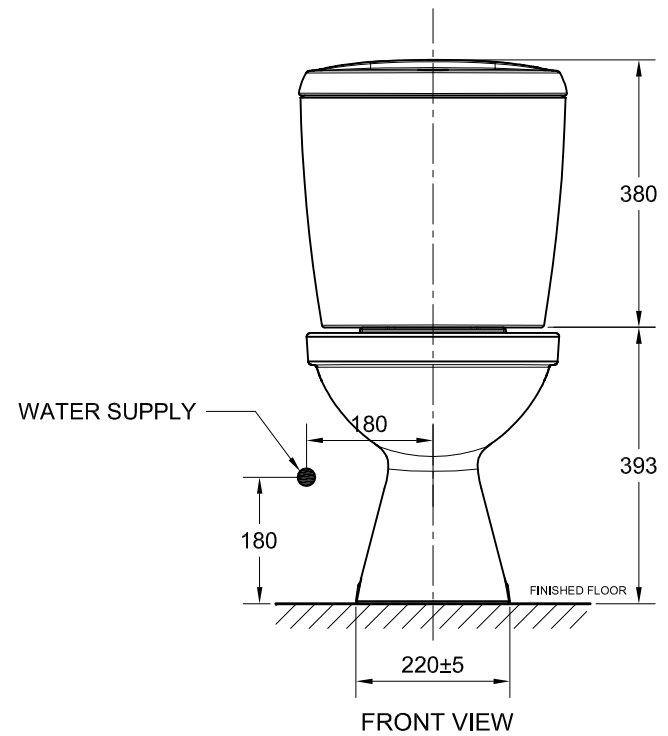
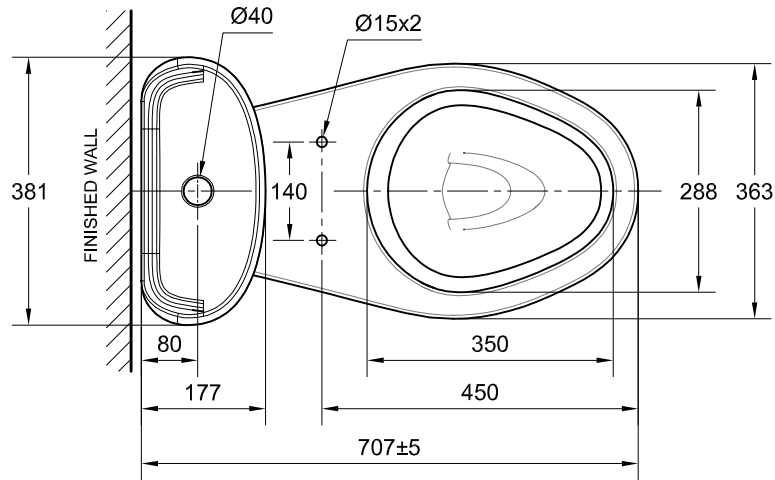


SIDE VIEW



FRONT VIEW



TOP VIEW

TF-2696 : TF-3396 WINSTON UPGRADE  
 TF-4396T WINSTON TANK (TOP PUSH)  
 TF-4696C NEW WINSTON COVER (TOP PUSH)

INDEX	DATE	REV.	MODIFICATION
E			
D			
C			
B			
A			
SHEET No.		DESCRIPTION	
1/1		TF-2696 WINSTON II TOP PUSH	
DESIGNED BY	I.Dhanyadhorn	<i>Dhanyadhorn</i>	DRAWING No. 014903-00
DRAW BY	S.Arnont	<i>ARNONT</i>	REVISION 00
CHECKED BY	R.Lonnie	<i>R.Lonnie</i>	DATE Aug 09/2016
APPROVED BY	A.Pathanasin	<i>P.Pathanasin</i>	SCALE FIT ON SCALE
TOLERANCE	>75mm. ±2%, ≤75mm. ±5%		PRODUCT TYPE TOILET