

**VORMAX PLUS™ RIGHT HEIGHT®
ELONGATED COMPLETE TOILET**

☐ 708AA107

- **Automatic self-cleaning toilet bowl that freshens the bowl with every flush**
- The specially formulated VorMax Plus FreshInfuser™ features the cleaning power of **LYSOL®** and lasts up to 30 Days*
- **The **VorMax jetted scrub, plus the cleaning power of LYSOL® work together to keep the bowl clean and smelling fresh**
- Two VorMax Plus FreshInfuser™ packs Included with Purchase of Toilet (Ocean Fresh Scent)
- Cleaning compartment is seamlessly hidden and easy to access
- **CleanCurve® Rim Design** eliminates hidden, hard-to-reach surfaces where dirt and buildup hide.
- **EverClean® Surface** is super smooth and easier to keep clean, even after years of use. Plus, the permanent EverClean® antimicrobial surface inhibits the growth of stain and odor causing bacteria on the surface.
- Received the highest flush performance MaP score of 1,000 grams (2.2 lbs. of waste)
- Elongated Right Height Bowl Meets Barrier Free Standards
- High Efficiency Toilet at just 4.8 Lpf (1.28 GPF)
- Slow Close, Quick Release Seat for Easy Cleaning
- Maximizes the power of water with each flush with 1-3/4" (44mm) Dual-injection Flush Valves and 2-1/16" (52mm) Trapway
- 12" (305 mm) rough-in
- **Warranty:** 10 Year Chinaware, 10 Year Mechanical Parts, 1 Year Seat and VorMax Plus FreshInfuser™ Housing

Nominal Dimensions:

30-5/8" x 18-1/16" x 30-13/16"
(778 x 459 x 782mm)

Fixture, toilet seat, wax ring, and bowl bolts only. Supply line not included.

Compliance Certifications -

Meets or Exceeds the Following Specifications:

- ASME A112.19.2/CSA B45.1 for Vitreous China Fixtures
- US EPA WaterSense® Specification for HET's

*Based on a usage of 12 flushes per day

**Test Report No. 109-141486-002, comparing VorMax against conventional under-the-rim-water-dispersal toilets from major retailers.

ADA MEETS THE AMERICANS WITH DISABILITIES ACT GUIDELINES AND ICC ANSI A117.1 REQUIREMENTS FOR ACCESSIBLE AND USABLE BUILDING FACILITIES-CHECK LOCAL CODES.



SEE REVERSE FOR ADDITIONAL ROUGHING-IN DIMENSIONS

To Be Specified:

- ☐ Colour: ☐ White
- ☐ Supply with stop:



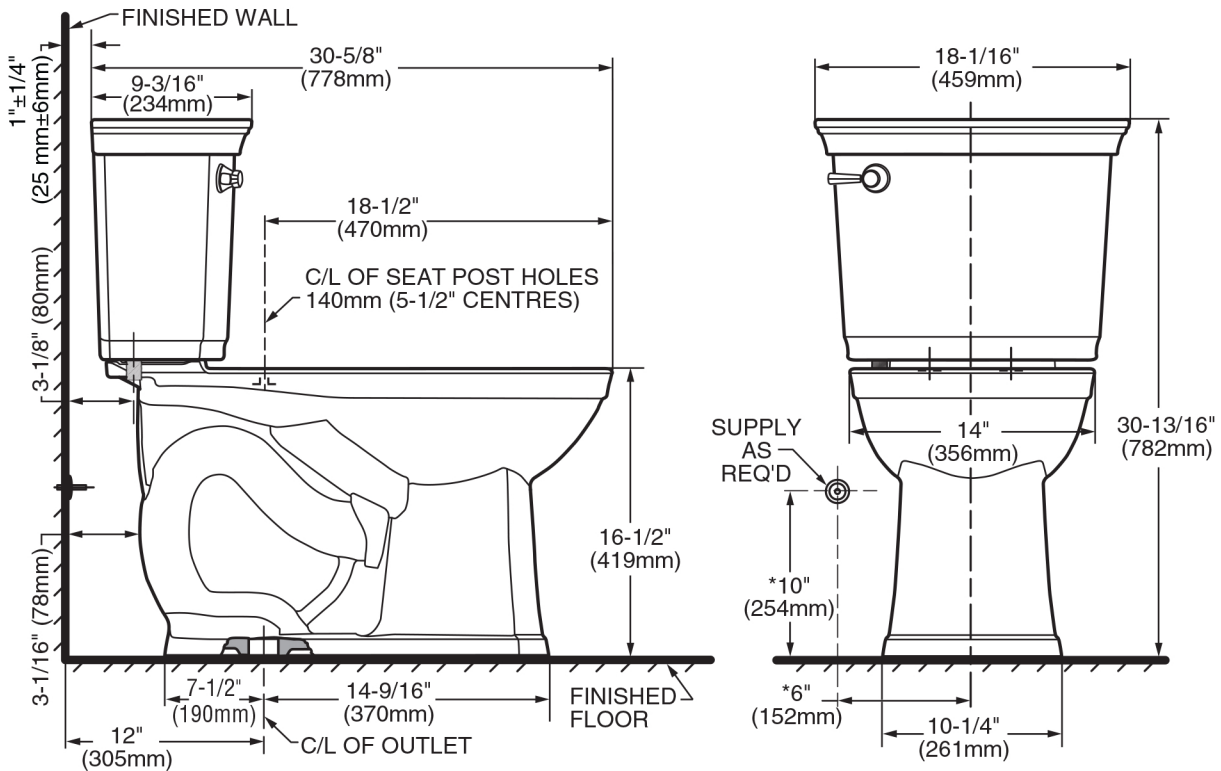
EPA
WATERSENSE®
CERTIFIED



WATER
EFFICIENT



EVERCLEAN®



NOTES:

THIS TOILET IS DESIGNED TO ROUGH-IN AT A MINIMUM DIMENSION OF 305mm (12") FROM FINISHED WALL TO C/L OF OUTLET.

SUPPLY NOT INCLUDED WITH FIXTURE AND MUST BE ORDERED SEPARATELY.

* DIMENSION SHOWN FOR LOCATION OF SUPPLY IS SUGGESTED.

IMPORTANT: Dimensions of fixtures are nominal and may vary within the range of tolerances established by ANSI Standard A112.19.2.

These measurements are subject to change or cancellation. No responsibility is assumed for use of superseded or voided pages.