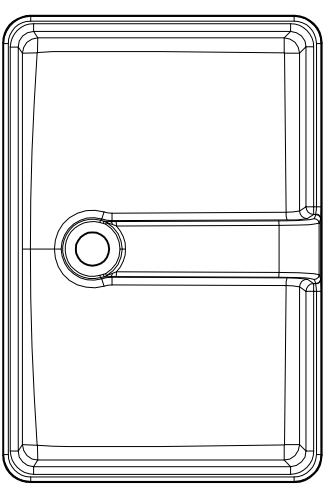


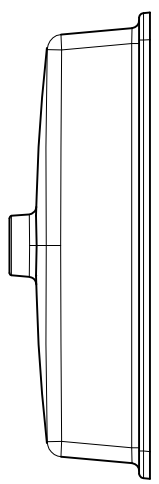
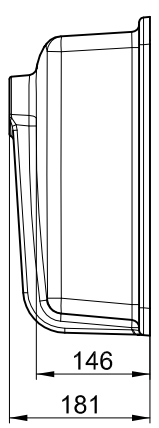
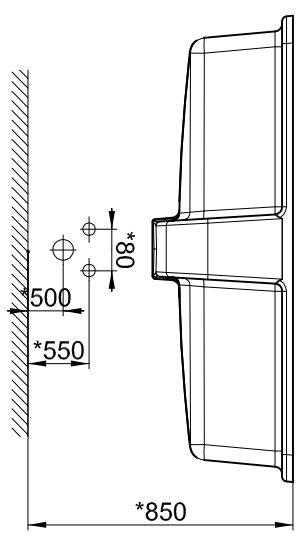
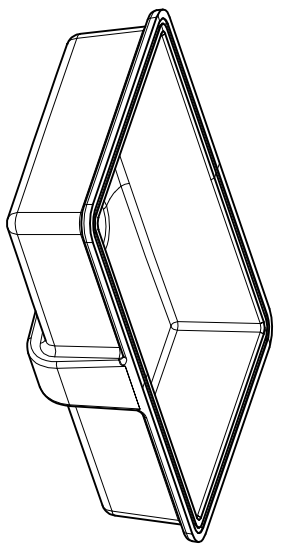
BOTTOM_VIEW



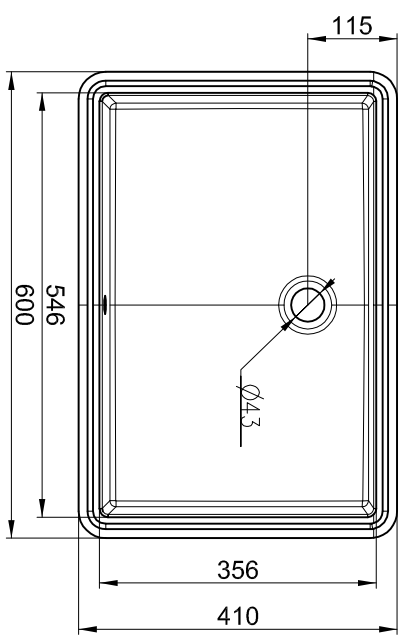
FRONT_VIEW

SIDE_VIEW

BACK_VIEW



TOP_VIEW



* This mark means suggested

INDX	DATE	REV.	
E			
D			
C			
B			
A			

American Standard
International design center

Suite Name: thin
Drawing No: CP-F513
thin UDP 60 LAV

Checked by:	CAD eng: Nana.H	DESIGN:	
Date: 20-Dec-12	Scale: 0.150	NPD:	
Sheet number: 1/1	Material: FFC	QA & R-LAB:	>75mm±2% <75mm±3%
Drawing r.v: 1.6	Master r.v: 1.6		