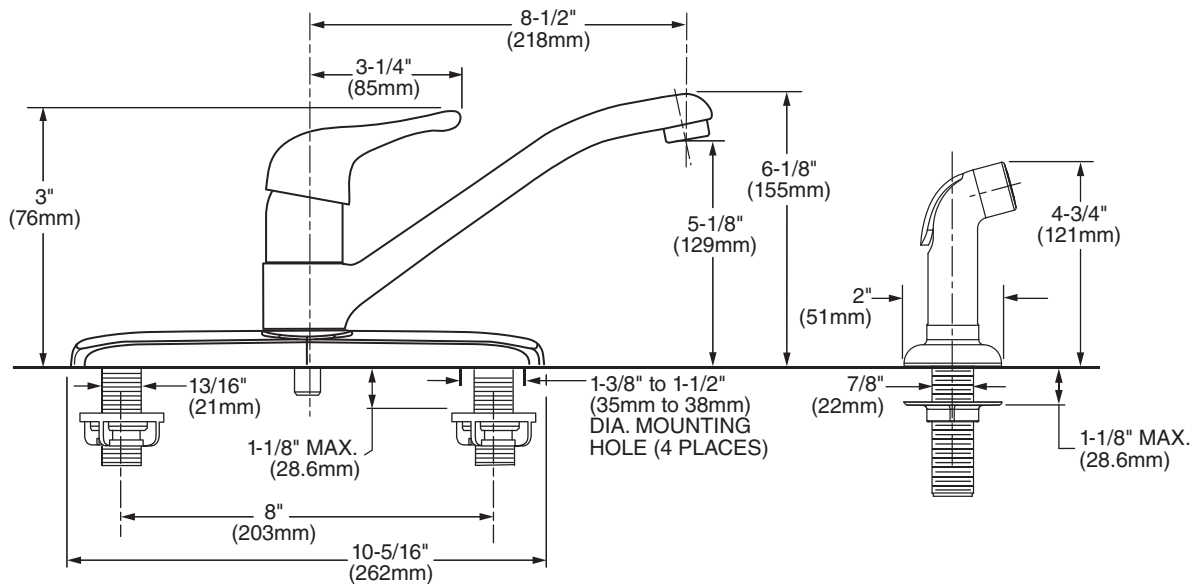


9316.001 Shown

### MODEL NUMBER:

- 9316.001.002 Kitchen Faucet**  
Metal lever handle. Separate color-matched handspray. Polished Chrome finish.
- 9316.001.075 Kitchen Faucet**  
Metal lever handle. Separate color-matched handspray. Stainless Steel (PVD) finish.
- 9316.000.002 Kitchen Faucet**  
Metal lever handle. Less handspray. Polished Chrome finish.
- 9316.000.075 Kitchen Faucet**  
Metal lever handle. Less handspray. Stainless Steel (PVD) finish.



### GENERAL DESCRIPTION:

Cast Brass 8-1/2" (218mm) long swivel spout. Lever handle. Washerless 40mm ceramic disc valve cartridge. Cast brass waterway with 1/2" male inlet shanks. Metal escutcheon plate (escutcheon size 10-5/16"L x 2-3/8"W). 1.8gpm/6.8L/min. maximum flow rate.

### PRODUCT FEATURES:

**Ceramic Disc Valve Cartridge:** Assures a lifetime of smooth handle operation and drip-free performance.

**Cast Brass Waterways with "City Shanks":** Strong and durable. Integral tabs on casting provide a wobble-free installation.

**Lead Free:** Faucet contains ≤ 0.25% total lead content by weighted average.

**Memory Position Valving:** Allows user to turn valve on and off at preferred temperature setting without readjusting handle position each time.

**Large "Comfort Zone":** Allows easy fine tuning of temperature.

**Simple Installation:** Fast and easy one person installation. Faucet drops in from top. Quick spin nuts secure faucet in place.

**Lifetime Warranty:** On Function and Finish.

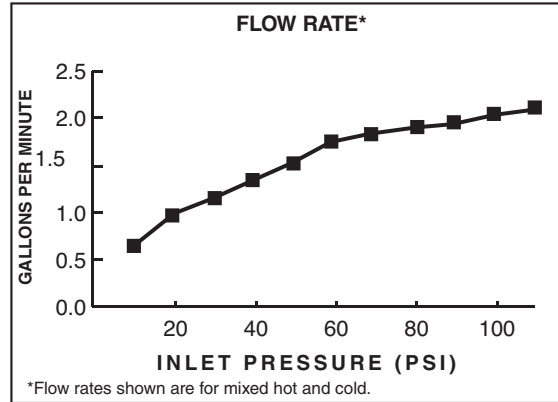
### SUGGESTED SPECIFICATION:

Single control kitchen faucet shall feature cast brass waterway. Shall also feature washerless 40mm ceramic disc valve cartridge. Cast brass swivel spout. Fitting shall be American Standard Model # 9316.001.\_\_\_\_. Model # 9316.000.\_\_\_\_.


**CODES AND STANDARDS**

These products meet or exceed the following codes and standards:

- ANSI A117.1**
- ASME A112.18.1**
- CSA B125**
- NSF 61/Section 9 & Annex G**



Product Number	Description
9316.001.002	Kitchen faucet. Metal lever handle. Separate color-matched handspray. Polished Chrome finish.
9316.001.075	Kitchen faucet. Metal lever handle. Separate color-matched handspray. Stainless Steel (PVD) finish.
9316.000.002	Kitchen faucet. Metal lever handle. Less handspray. Polished Chrome finish.
9316.000.075	Kitchen faucet. Metal lever handle. Less handspray. Stainless Steel (PVD) finish.

 Meets the American Disabilities Act Guidelines and **ANSI A117.1** Requirements for the physically challenged.