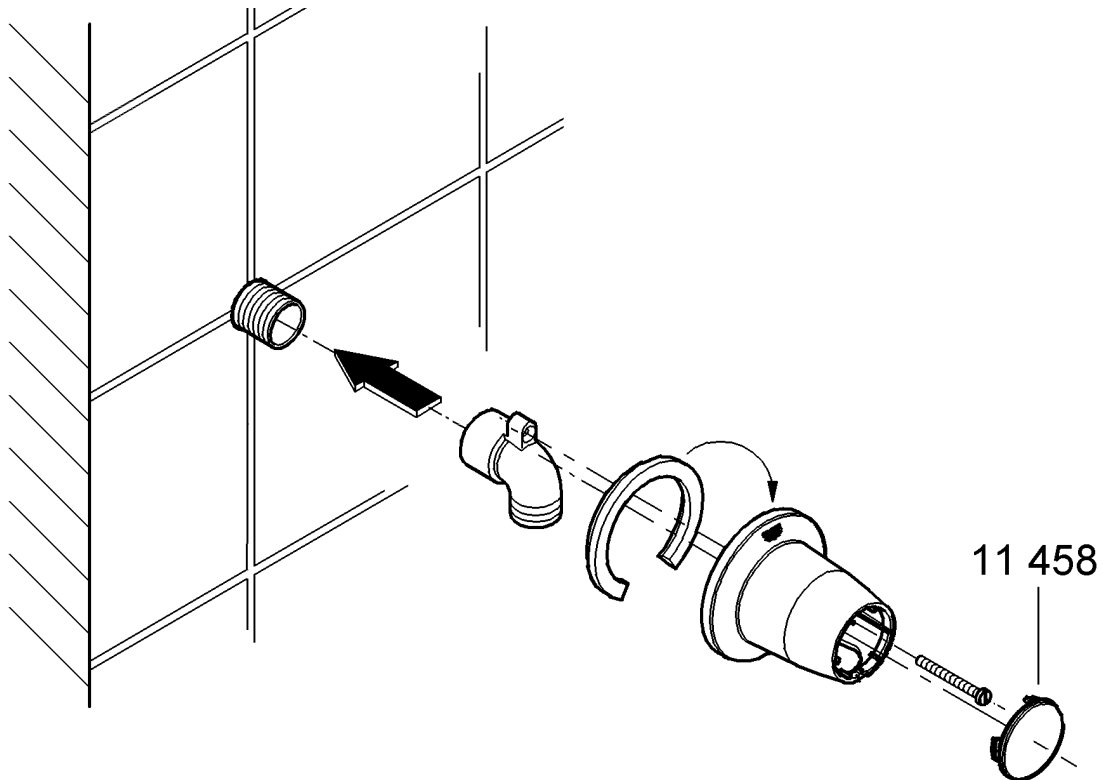
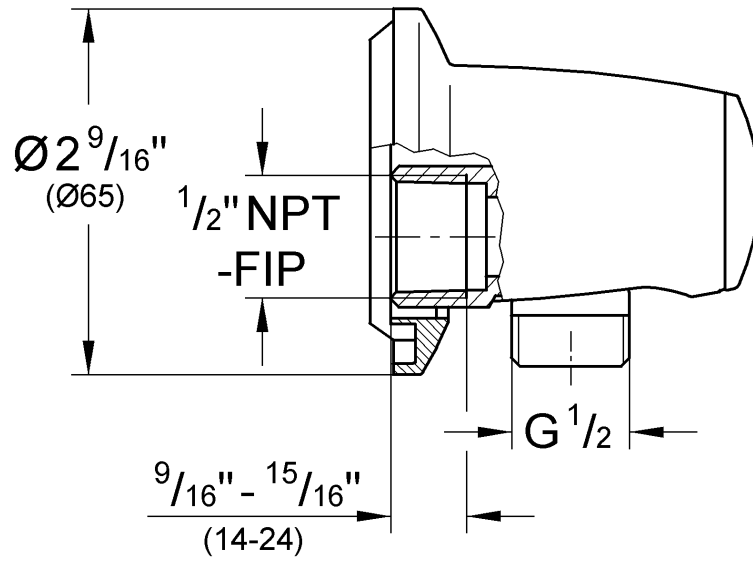




WATER TECHNOLOGY

28 459





WATER TECHNOLOGY

28 484

