



**CADET UNIVERSAL ACCESS
COUNERTOP SINK**

- Vitreous china
- Self-rimming
- Two rear overflow holes
- Supplied with template
- Faucet deck
(Faucet shown not included)

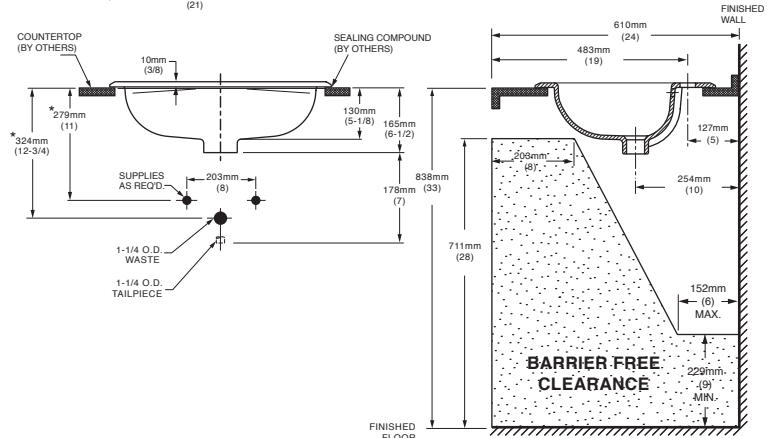
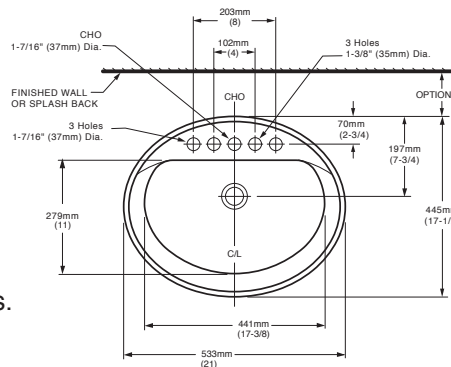


- 9498 001** Faucet holes on 203mm (8") centres
- 9494 001** Faucet holes on 102mm (4") centres
- 9495 001** Centre hole only (Illustrated)

Nominal Dimensions:
533 x 445mm (21" x 17-1/2")

Bowl sizes:
441mm (17-3/8") wide, 279mm (11") front to back, 133mm (5-1/4") deep

COMPLIANCE CERTIFICATIONS –
Meets or exceeds the following Specifications:
• ASME A112.19.2M for Vitreous China Fixtures.
• CAN/CSA B45 Series.
• 1995 National Building Code, section 3.7 and CAN/CSA-B651-M90 and OBC 3.7.



To Be Specified

- Colour:
- Faucet*:
- Faucet Finish:
- Supplies & Stops:
- Trap 1-1/4" (32 mm):

* See faucet section for additional models available

● Top of front rim mounted 864mm (34") maximum from finished floor.
MEETS THE AMERICAN DISABILITIES ACT GUIDELINES AND ANSI A117.1 REQUIREMENTS FOR PEOPLE WITH DISABILITIES

For Universal Design Options, top of counter may be mounted at 813mm (32") from finished floor to meet ADA and ANSI A117.1 requirements. A 864mm (34") mounting height is required for California Title 24 and other more stringent knee space requirements. A 838mm (33") mounting height is required for Ontario. Check local codes.

NOTES:
* DIMENSIONS SHOWN FOR LOCATION OF SUPPLIES AND "P" TRAP ARE SUGGESTED. FOR COUNTERTOP CUTOUT AND INSTALLATION INSTRUCTIONS USE TEMPLATE SUPPLIED WITH SINK.
FAUCETS NOT INCLUDED AND MUST BE ORDERED SEPARATELY.
IMPORTANT: Dimensions of fixtures are nominal and may vary within the range of tolerances established by ANSI Standard A112.19.2.
These measurements are subject to change or cancellation. No responsibility is assumed for use of superseded or voided pages.