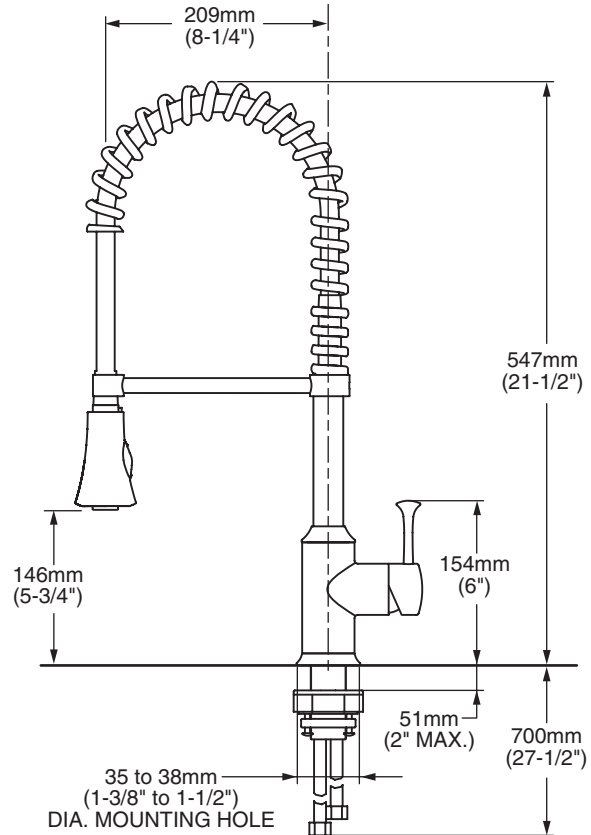




MODEL NUMBER:

- ❑ 4332358CA.002 Semi-Professional Kitchen Faucet
- 4332358CA.075 Semi-Professional Kitchen Faucet



GENERAL DESCRIPTION:

Forged brass body with brass swivel spout and swing arm. Metal lever handle. Pull-down spray with adjustable spray pattern and push button activation. Metal reinforced hose with stainless steel protector coil. Washerless 40mm ceramic disc valve cartridge. Brass mounting shank with brass fixation ring. Complete with two integral check valves. Braided flexible supply hoses with 3/8" compression connectors. 2.2 gpm/8.3Lmin. maximum flow rate.

PRODUCT FEATURES:

- Ceramic Disc Valve Cartridge:** Assures smooth, precise valve control and a lifetime of drip-free, maintenance-free performance.
- Brass Construction:** Highest quality materials for durability & long life.
- Memory Position Valving:** Allows user to turn valve on and off at preferred temperature setting without readjusting handle position each time.
- Lead Free:** Faucet contains $\leq 0.25\%$ total lead content by weighted average
- Pull-down Spray:** Adjustable spray pattern-stream to spray.
- Integral Check Valves:** Prevents back flow.
- Choice of Finishes:** Choice of Polished Chrome or Stainless Steel (PVD).

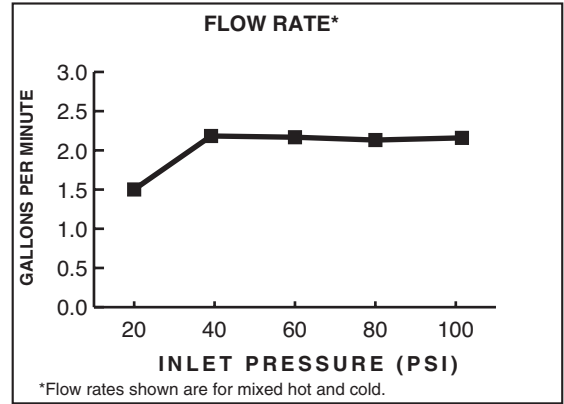
SUGGESTED SPECIFICATION:

Single control kitchen faucet shall feature a forged brass body with pull-down spray. Shall also feature washerless ceramic disc valve cartridge, flexible supply hoses and two integral check valves. Fitting shall be American Standard Model # 4332358CA.____


CODES AND STANDARDS

These products meet or exceed the following codes and standards:

- ANSI A117.1**
- ASME A112.18.1**
- NSF 61/Section 9 & Annex G**
- CSA B125**



Product Number	Description	Finish Options	
		Polished Chrome	PVD Stainless Steel
		002	075
4332358CA	Semi-Professional Kitchen Faucet.		

 Meets the American Disabilities Act Guidelines and **ANSI A117.1** Requirements for the physically challenged.